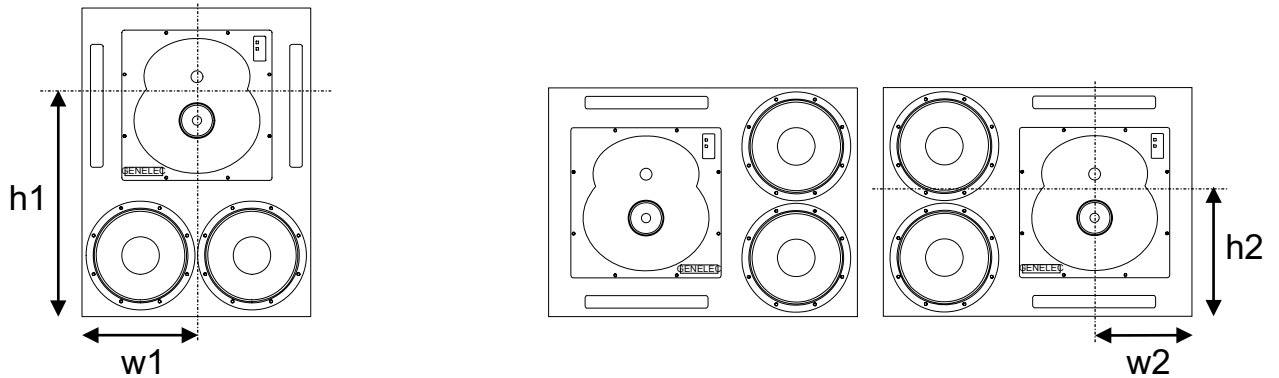
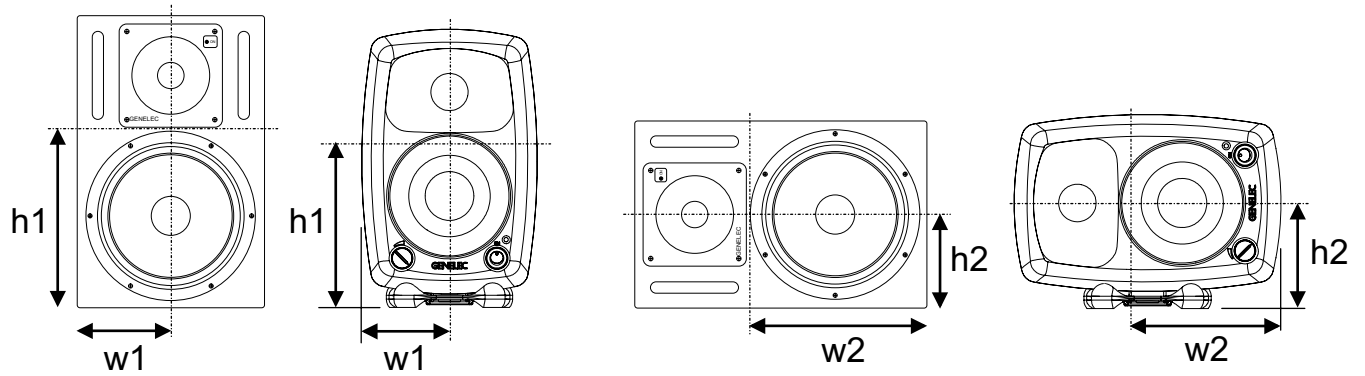


ACOUSTIC AXIS LOCATION - TABLE 1



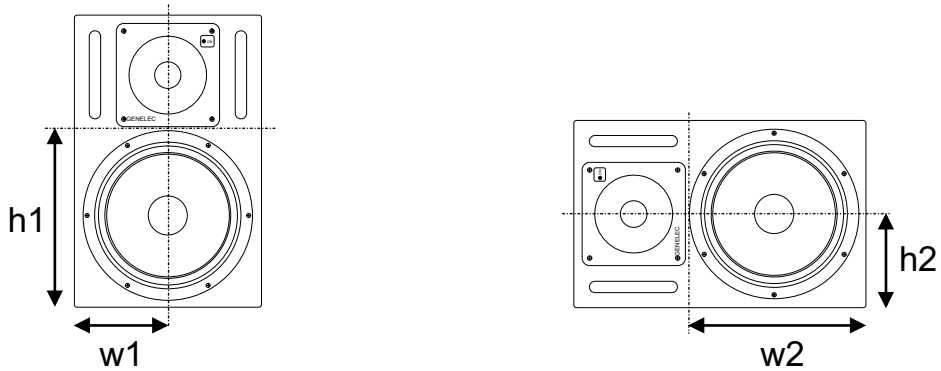
MODEL	VERTICAL MOUNTING	h1	w1	HORIZONTAL MOUNTING	h2	w2
1036A		858 mm 33 3/4"	480 mm 18 7/8"		508 mm 20"	350 mm 13 3/4"
1035B		783 mm 30 7/8"	410 mm 16 1/8"		438 mm 17 1/4"	350 mm 13 3/4"
1039A		750 mm 29 1/2"	410 mm 16 1/8"		430 mm 16 15/16"	320 mm 12 5/8"
1034B		660 mm 26"	350 mm 13 3/4"		390 mm 15 3/8"	270 mm 10 11/16"
1034BC		627 mm 24 11/16"	245 mm 9 5/8"		266 mm 10 1/2"	605 mm 23 13/16"
1038B		650 mm 25 9/16"	240 mm 9 7/16"		282 mm 11 1/8"	202 mm 7 15/16"
1038BC		510 mm 20 1/16"	175 mm 6 7/8"		210 mm 8 1/4"	475 mm 18 11/16"
1037C		540 mm 21 1/4"	200 mm 7 7/8"		230 mm 9 1/16"	170 mm 6 11/16"

ACOUSTIC AXIS LOCATION - TABLE 2



MODEL	VERTICAL MOUNTING	h1	w1	HORIZONTAL MOUNTING	h2	w2
1032A		290 mm 11 7/16"	160 mm 6 5/16"		160 mm 6 5/16"	290 mm 11 7/16"
8050A 8250A		290 mm 11 7/16"	143 mm 5 10/16"		168 mm 6 10/16"	271 mm 10 11/16"
8040A 8240A		240 mm 9 7/16"	119 mm 4 11/16"		139 mm 5 15/32"	225 mm 8 7/8"
8030A 8130A		190 mm 7 1/2"	95 mm 3 3/4"		116 mm 4 9/16"	176 mm 6 30/32"
8020A		146 mm 5 3/4"	75 mm 2 15/16"	Horizontal mounting of the 8020A is not recommended		

ACOUSTIC AXIS LOCATION - TABLE 3



MODEL	VERTICAL MOUNTING	h1	w1	HORIZONTAL MOUNTING	h2	w2
S30D V		420 mm 16 17/32"	220 mm 8 21/32"	Do not use the S30D V in horizontal orientation		
S30D H	Do not use the S30D H in vertical orientation				220 mm 8 21/32"	350 mm 13 25/32"
1031A		235 mm 9 1/4"	125 mm 5"		125 mm 5"	235 mm 9 1/4"
1030A		200 mm 7 7/8"	100 mm 3 15/16"		100 mm 3 15/16"	200 mm 7 7/8"
1029A 2029A 2029B		150 mm 5 15/16"	75 mm 2 15/16"		75 mm 2 15/16"	150 mm 5 15/16"